



**Mastercam** X Family of Products

Mill • Lathe • Router • Wire • Art • Solids • Design • Maintenance • Add-ins

## The perfect fit for your work.

CAD/CAM for the most important job – yours.

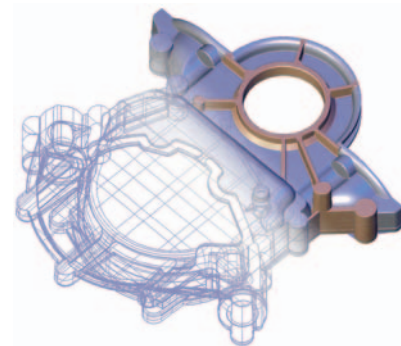
There's no job more important than the one you're working on. The new Mastercam X suite of CAD/CAM products is designed with real-world programming needs at the forefront, making your work easier and faster than ever before. And because Mastercam X can grow with your needs, you have the long-term confidence, experience and support from the #1 CAD/CAM developer in the world.

Mastercam X CAD/CAM software offers 2- through 5-axis milling and routing, turning, wire EDM, artistic relief cutting, 2D and 3D design, surface, and solid modeling.

### Ten reasons why you'll give it a perfect "10!"

1. **Streamlined.** Work with a new interface that will get you cutting parts quickly.
2. **Customizable.** Adjust the appearance and functionality to your preferences.
3. **Comprehensive.** Get the highest quality, most robust toolpath generation system available.
4. **Fast.** Do more with fewer interactions.
5. **Accurate.** Adjust attributes to existing "live" geometry & toolpaths to change them on the fly.
6. **Robust.** Control all aspects of tool motion to boost productivity.
7. **Powerful.** New toolpaths deliver maximum quality and accuracy.
8. **Flexible.** Import virtually any CAD source file and choose add-in utilities tailored to your needs.
9. **Support.** Work with the most professional, knowledgeable reseller network in the industry.
10. **Confident.** Partner with the creators of programmers' preferred CAM software worldwide.

### Modeling



#### Mastercam Design

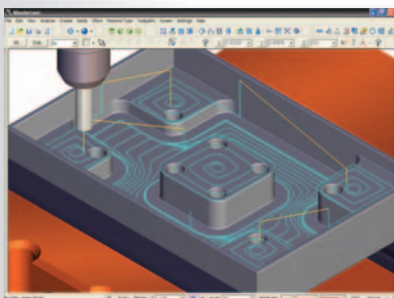
Powerful 3D CAD software also included in Mastercam Mill, Lathe, Router and Wire.

- Easy geometry modeling and editing
- Advanced geometry creation, including NURBS curves and surfaces
- 2D and 3D associative dimensioning
- Surface extension, blending, trimming, splitting and variable filleting

#### + Mastercam Solids

Available as an add-in. See back.

### Milling



#### Mastercam Mill Level 1

Associative CAD/CAM for 2½ axis machining and design. Builds on Mastercam Design functionality, plus:

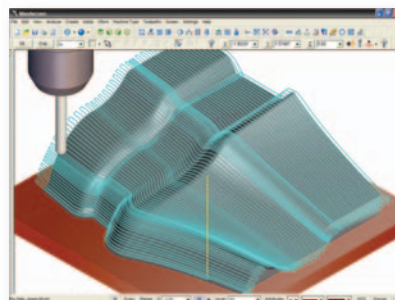
- Flexible contouring, pocketing and drilling
- Automated pocket remachining along with part and island facing
- Tombstone programming
- Automated feed rate optimization
- Solids-based toolpath verification

#### + Mastercam Multiaxis

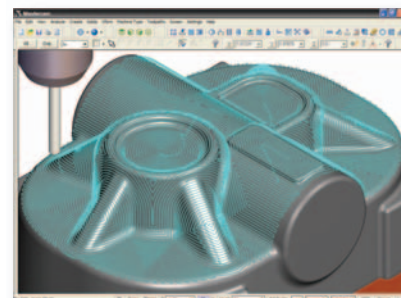
#### Mastercam Mill Level 2

Associative CAD/CAM for limited 3-axis machining and design. Builds on Mastercam Design & Level 1 functionality, plus:

- Single and limited multisurface finishing
- Single and limited multisurface roughing
- Toolpath projection onto a complex surface



Available as an add-in. See back.



#### Mastercam Mill Level 3

Associative CAD/CAM for full 3 axis machining and design. Builds on Mastercam Design, Level 1 & 2 functionality, plus:

- Flexible, easy, associative multisurface roughing and finishing
- Automated remaining stock removal
- Powerful highspeed machining motion
- Machine any combination of surfaces, solids and wireframe

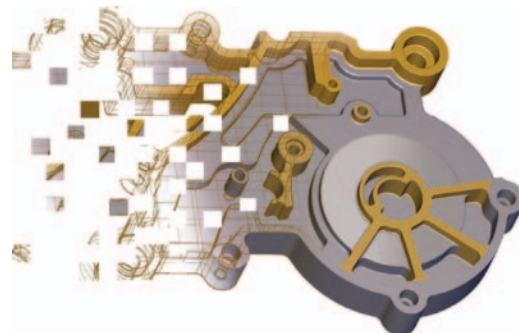
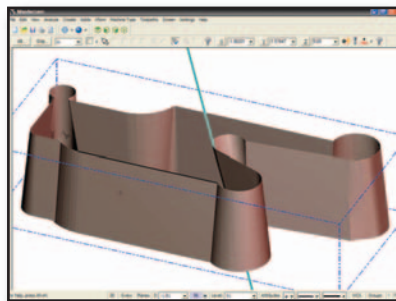
## Wire EDM

### Mastercam Wire

Associative CAD/CAM for wire EDM.

Builds on Mastercam Design functionality, plus:

- Advanced tapering in both 2-axis and 4-axis wirepath creation
- Advanced synchronization capabilities
- Dynamic wirepath technology point editing and verification
- Automatic corner filleting and skim cut definition
- Efficient tab creation and management

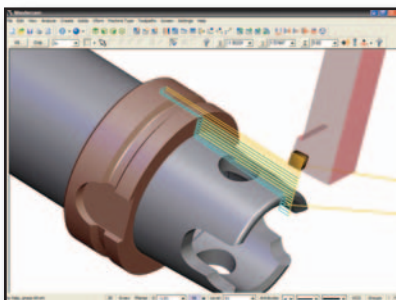


### Data Translators

All Mastercam products include powerful data translators for IGES, Parasolid®, SAT (ACIS solids), AutoCAD® (DXF, DWG, and Inventor™ files), SolidWorks®, Solid Edge®, STEP, EPS, CADL, STL, VDA, and ASCII.

Direct translators for CATIA®, Pro-E®, and more are also available. Special no-charge Mastercam Direct add-ins put Mastercam in your SolidWorks, SolidEdge, or AutoCAD Inventor toolbars.

## Turning

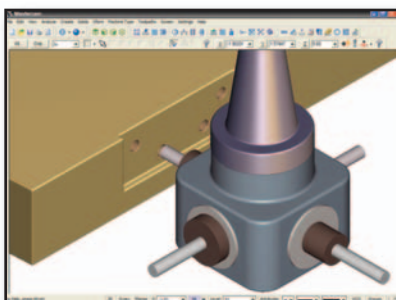


### Mastercam Lathe

Associative CNC programming system for turning. Builds on Mastercam Design functionality, plus:

- Roughing, finishing, threading, grooving, boring, drilling and cut off
- Editable tool, material and operation libraries
- Automatic tool compensation
- Solids-based toolpath verification
- Limited C- and Y-axis machining, with full Multi-axis (Mill/Turn) capabilities when combined with Mastercam Mill

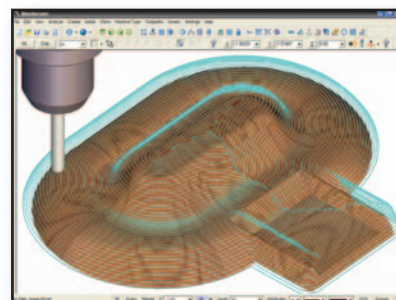
## Router Programming



### Mastercam Router Plus

Associative CAD/CAM for limited 3-axis router work. Builds on Mastercam Design & Router functionality, plus:

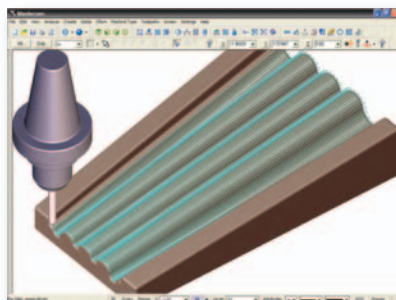
- Single-surface and limited multisurface roughing
- Single-surface and limited multisurface finishing
- Toolpath projection onto a complex surface



### Mastercam Router

Associative CAD/CAM specifically designed for routers. Builds on Mastercam Design functionality, plus

- Flexible 2D machining
- Tab creation and editing
- Part and toolpath nesting
- Block drilling and aggregate head support
- Optional engraving and advanced nesting



### Mastercam Router Pro

Associative CAD/CAM for full 2-axis and 3-axis router work. Builds on Mastercam Design and Mastercam Router functionality, plus:

- Easy multisurface roughing.
- Fast multisurface finishing.
- Cleanup machining to reduce final hand work.

+ Mastercam Multiaxis

Available as an add-in. See back.

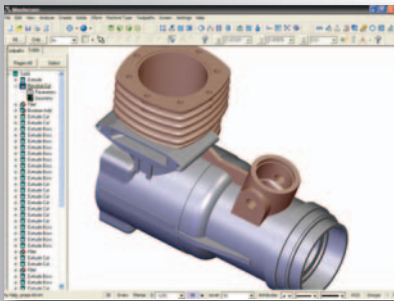
## Power Add-Ins

Mastercam add-ins are custom utilities developed for specialized applications. Just a few of these time-saving tools include automatic core/cavity separation, automatic parting line generation and draft angle analysis, EDM tool creation, nesting, and engraving. A wide variety of add-ins are available from Mastercam Resellers and third-party developers.

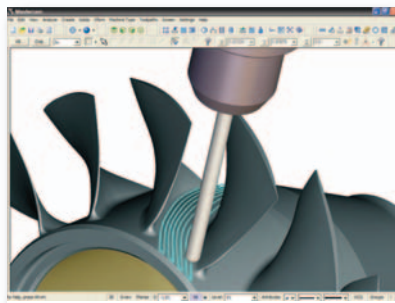
### + Mastercam Solids Add In

Fully integrated Parasolid®-based solid modeler that adds on to Mastercam Design, Mill, Lathe, Router and Wire.

- Powerful solid construction techniques
- Fast shelling, filleting and chamfering
- Import and export Parasolid files
- History tree for easy operation editing
- Combine solids and surfaces in the same model
- Fully integrated, associative machining when combined with Mastercam Mill



### + Mastercam Multiaxis Add In



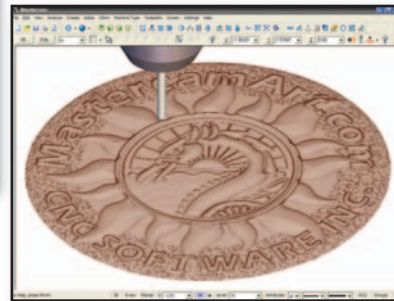
Associative CAD/CAM for 4-and 5-axis machining that adds on to Mastercam Mill Level 3 or Mastercam Router Pro systems.

- 4-axis and 5-axis multisurface roughing and finishing
- 5-axis contour cutting and trimming
- Full control over all aspects of tool approach, motion, and retract
- Full multi-axis solids-based verification

### + Mastercam Art Add In

Artistic CAD/CAM for creative organic modeling and machining. Adds on to Mastercam Mill or Mastercam Router systems:

- Create sophisticated 3D sculpted models from simple 2D artwork
- History tree for easy editing at any stage in your process
- Machine your pieces with specialized toolpaths



### System Requirements

Processor: 1.5 GHz Intel processor  
 Operating System: Windows® XP or Windows 2000 with latest service packs and updates;  
 .NET 1.1 framework and DirectX® version 9.0c  
 Memory: 512 Mb RAM, 1 GB available hard disk space.  
 Graphics Card: 64 MB OpenGL-compatible (minimum)  
 Monitor: 1024 x 768 resolution (minimum)  
 Mouse: Windows® compatible mouse